

2 Point PRO Mounting Hardware

- ◆ Stationary Mounting
- ◆ Adjustable Positioning

Mounting

Mounts to multiple diameter tubing. No Spacers Required

Two point mounting with four point stability

Positioning

Angle - 20 degrees of adjustment without the loss of seat depth

Depth - range of adjustment is 1 1/4" / 31.75mm

Width - approx. 1" / 2.5cm

Fits

Aluminum and Carbon backs

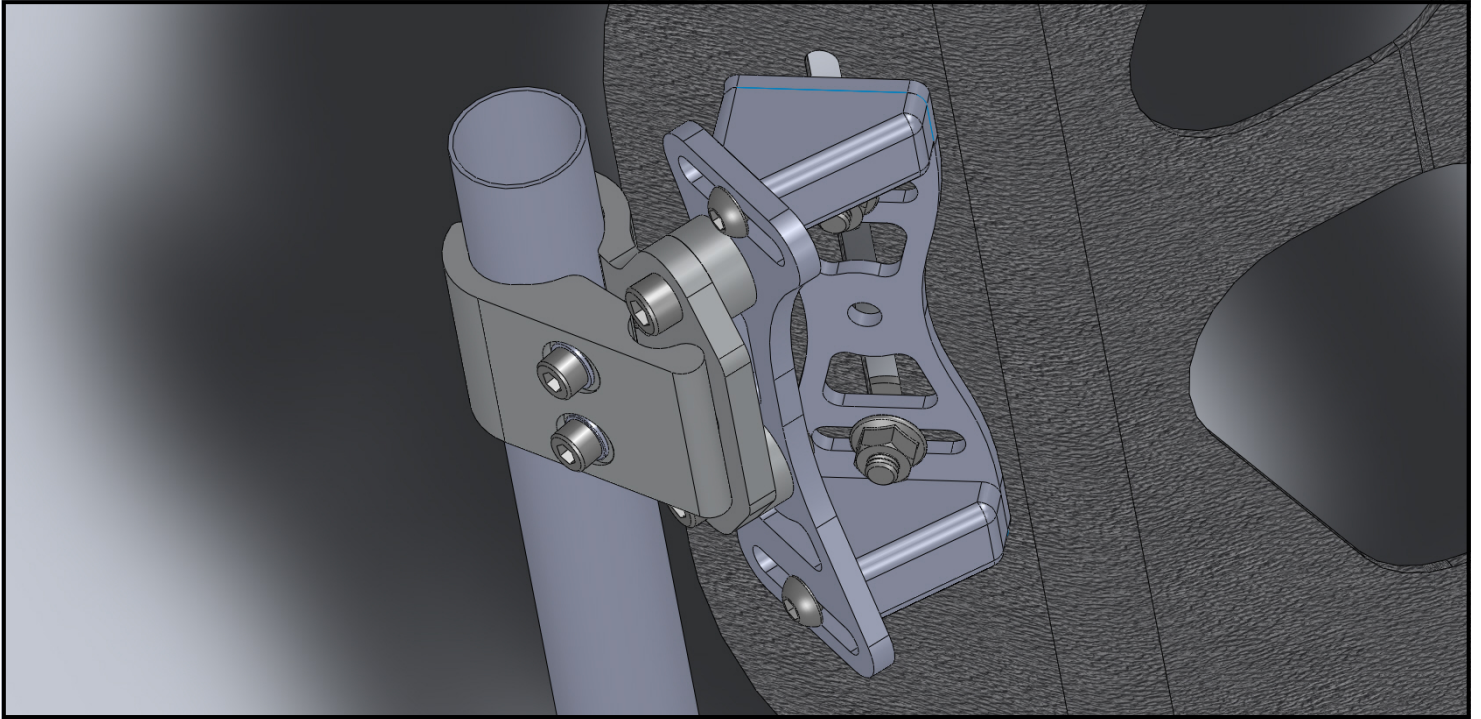
Active and deep contours

10" through 23" widths

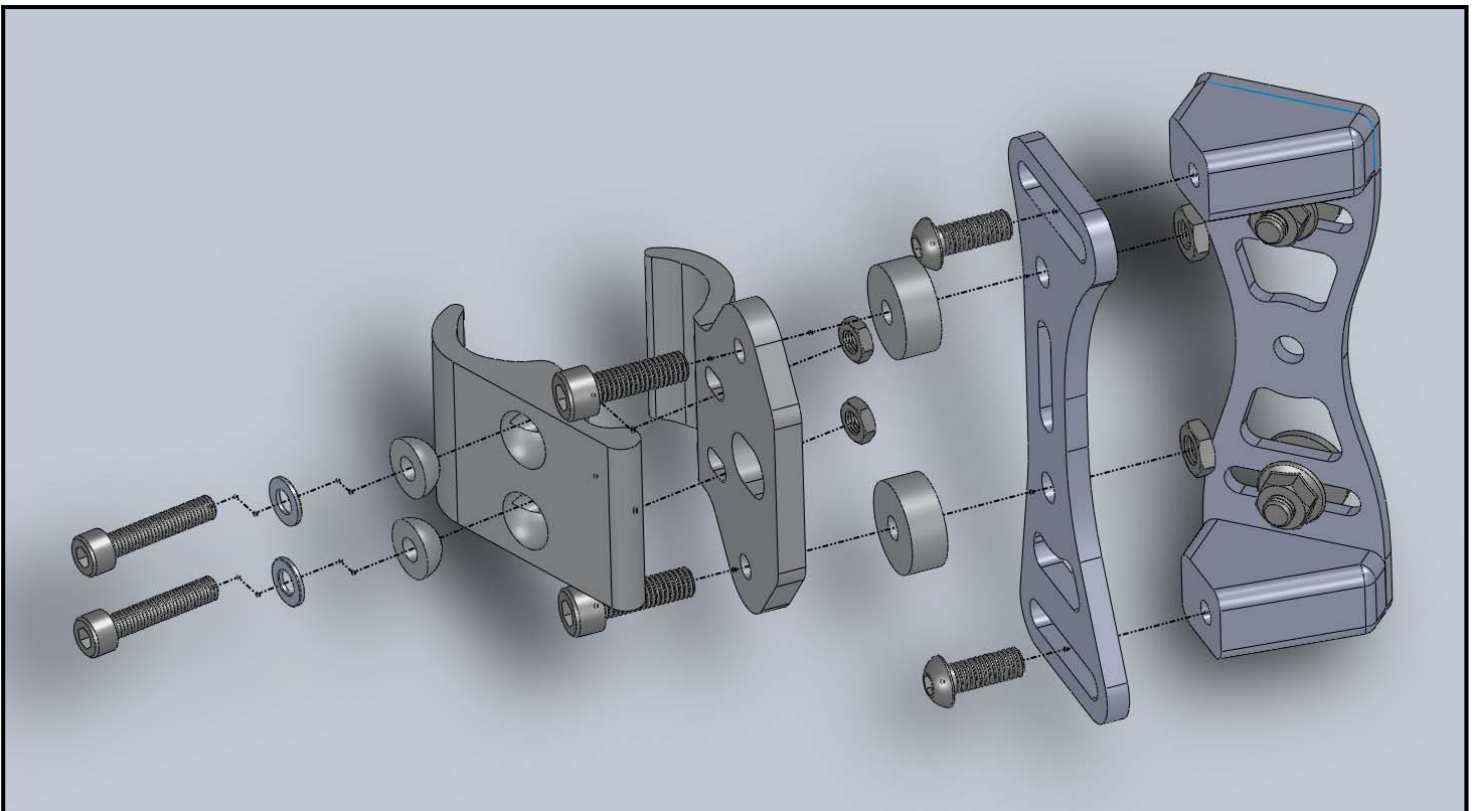
All heights



2 Point PRO Hardware



CAD image of 2 Point PRO attached to 1" / 25mm back post



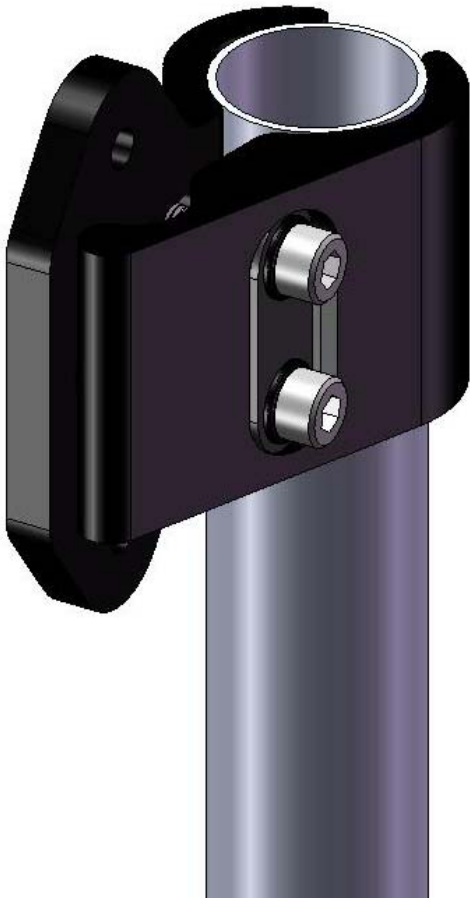
Exploded view showing 2 Point PRO part assembly

Seating Systems

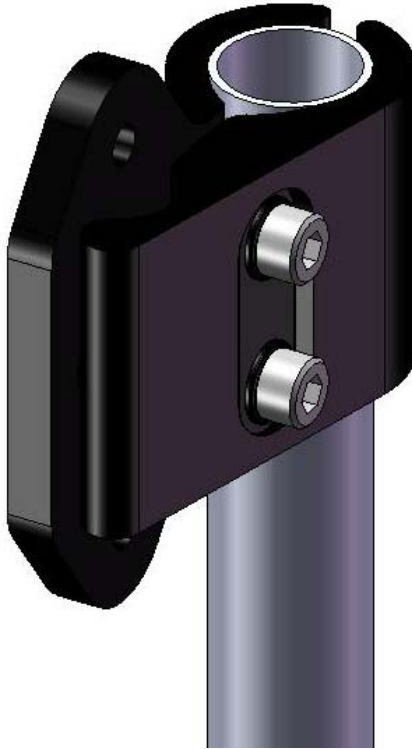
2-Point Mounting w/ 4 Point Stability

Clamps To Multiple Size Tubing

.750" through 1" round tubing, No Spacers Required!



1" / 25.4mm
round tubing



.750" / 19.05mm
round tubing



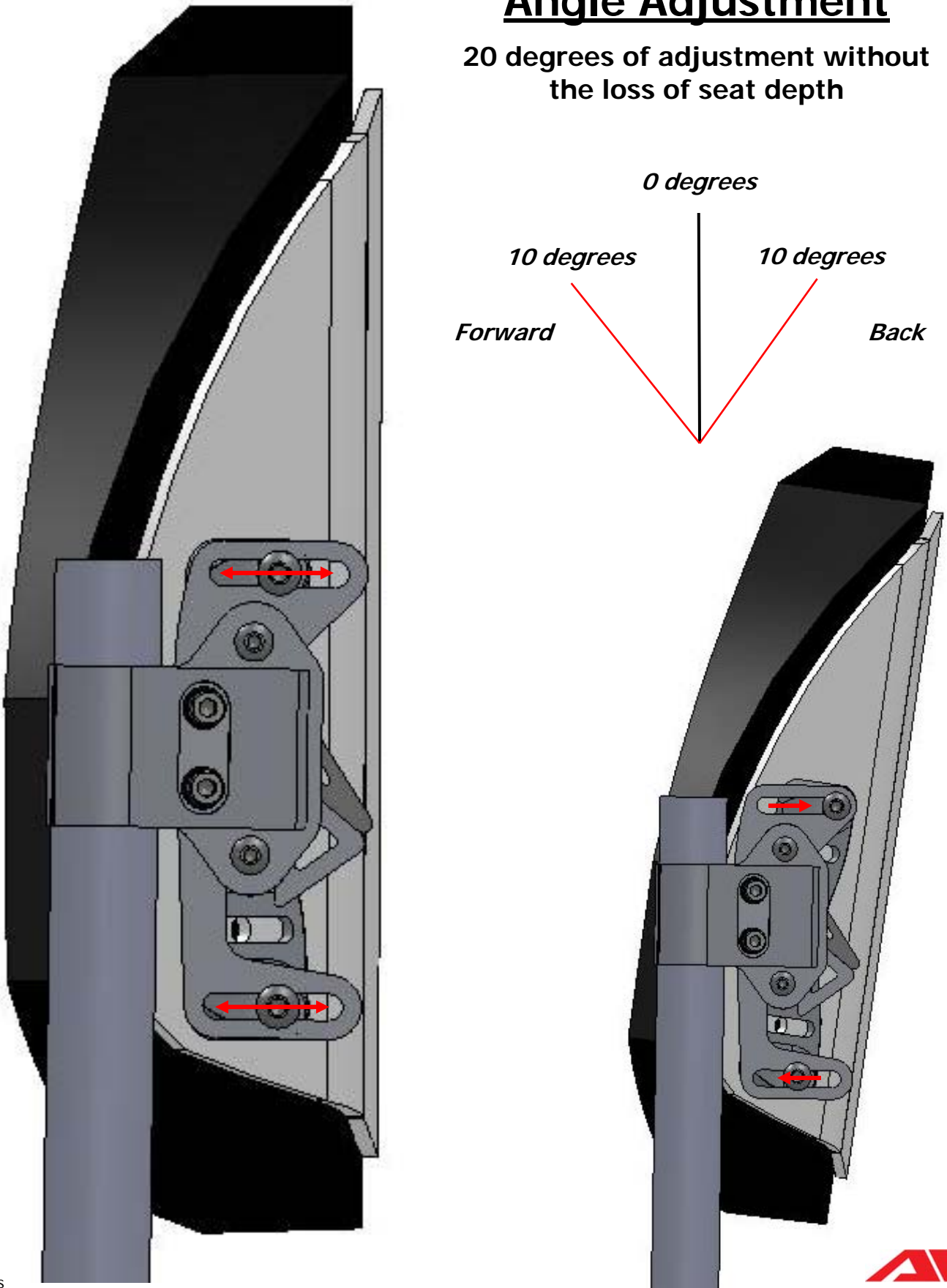
.600" / 15.24mm
oval tubing



Note:
all measurements
are approximate

Angle Adjustment

20 degrees of adjustment without the loss of seat depth



Note:
all measurements
are approximate

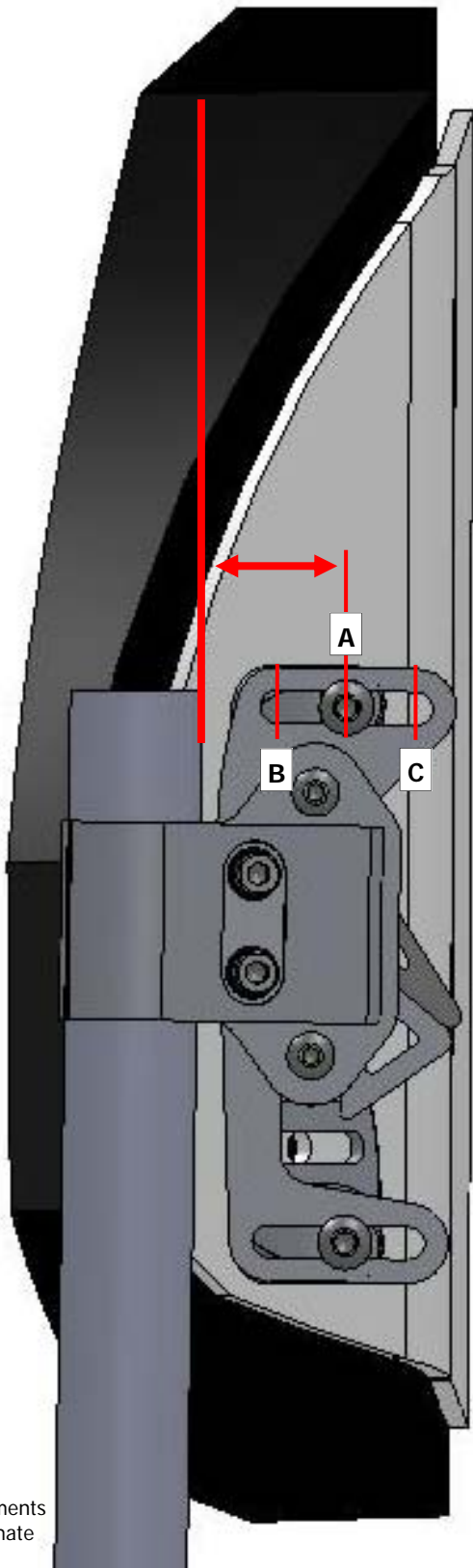


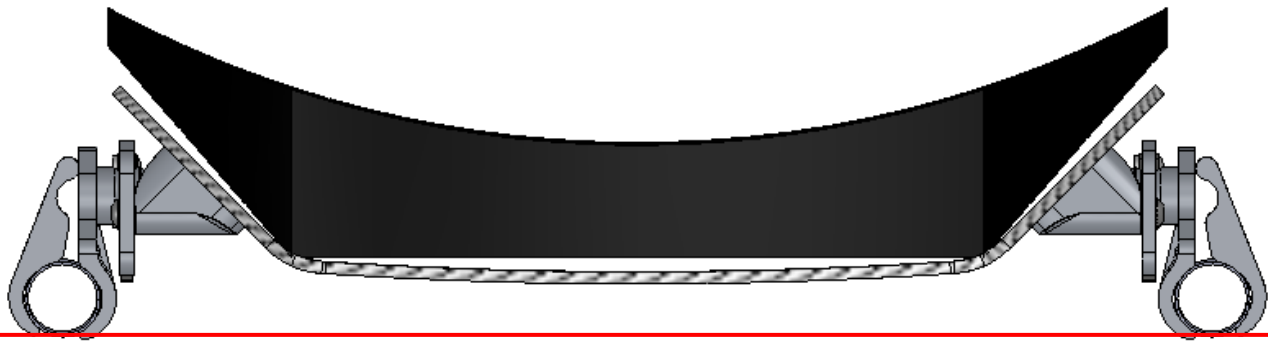
Depth Adjustment

hardware mounted in traditional position, behind back post

- A. Center
positions back cushion valley
behind back post
- B. Forward / Min Depth
positions back cushion
Forward 5/8" / 15.8mm
- C. Aft / Max Depth
positions back cushion
Rearward 5/8" / 15.8mm

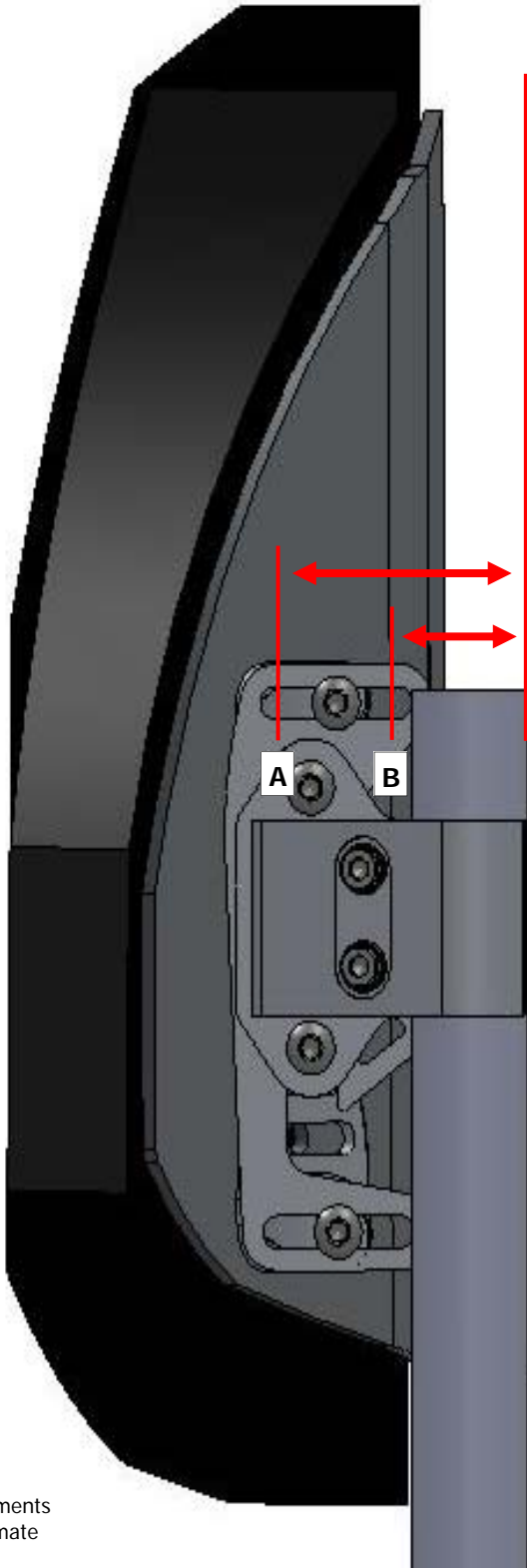
NOTE: range of adjustment is
1 1/4" / 31.75mm





Depth Adjustment

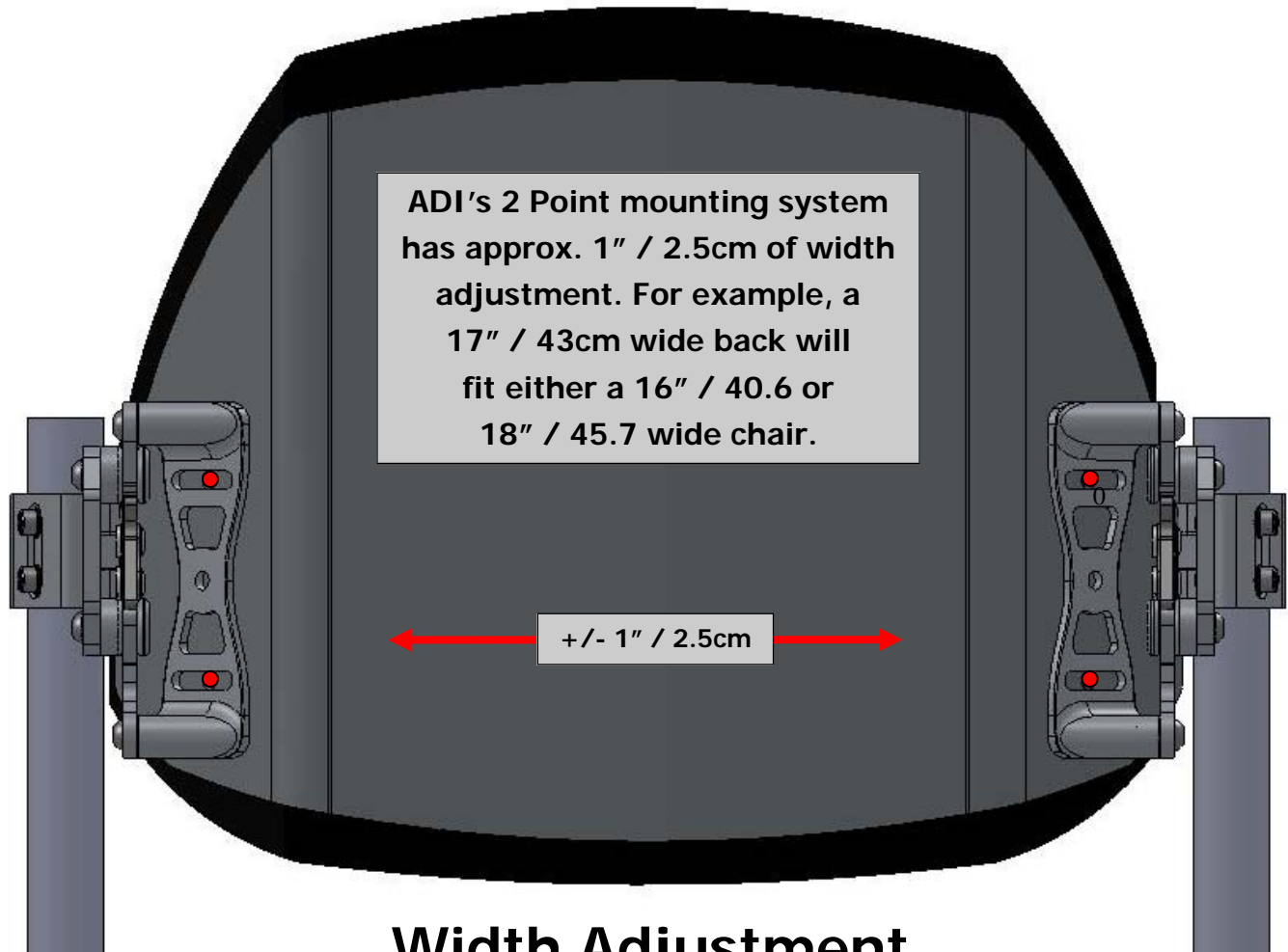
*hardware mounted forward
of backpost*



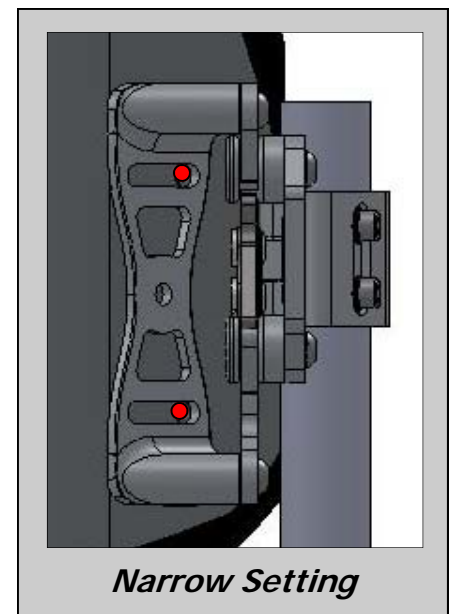
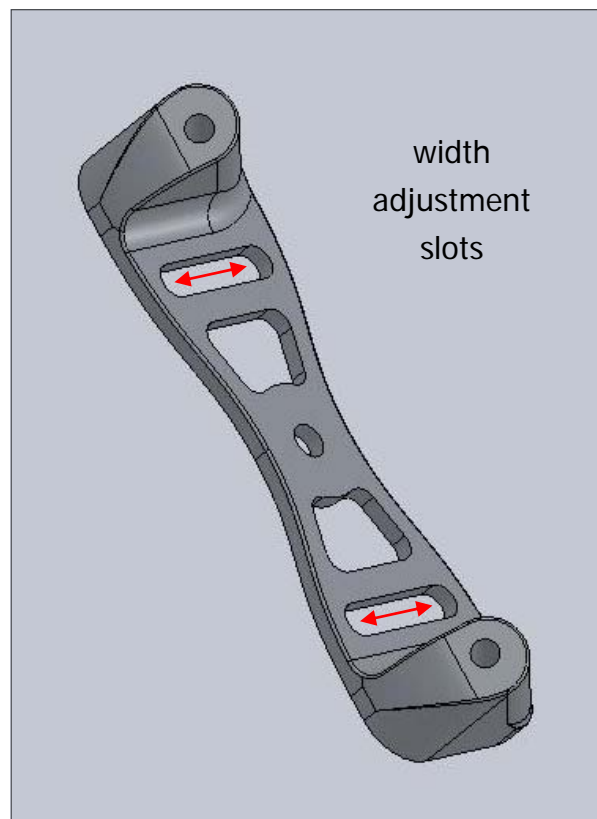
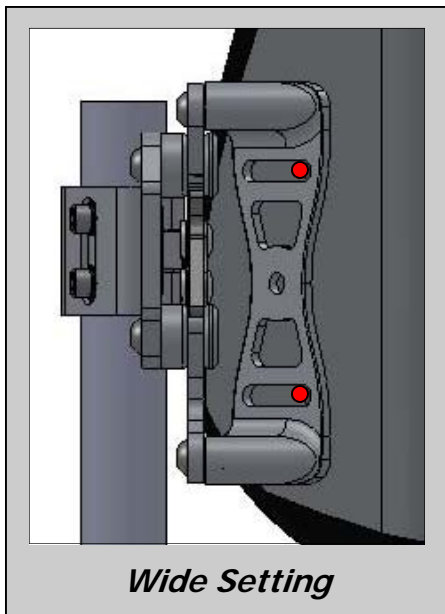
A. Max Forward
positions back cushion
forward 2 1/4" / 57mm
of rear backpost

B. Forward Aft
positions back cushion
forward 1" / 25mm
of rear backpost

Note:
all measurements
are approximate



Width Adjustment



Note:
all measurements
are approximate