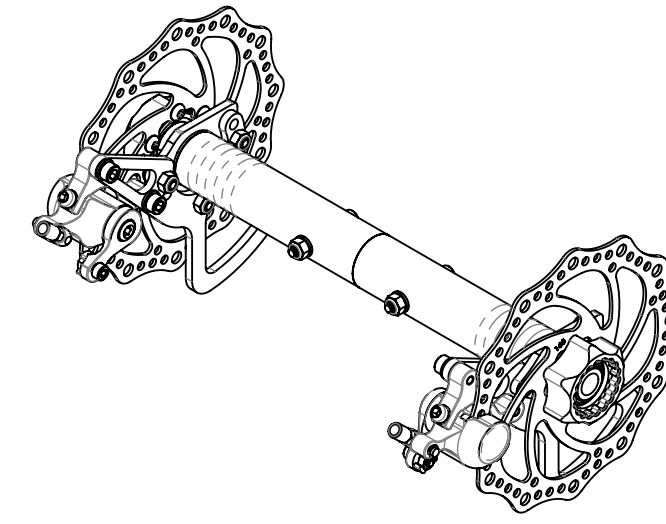
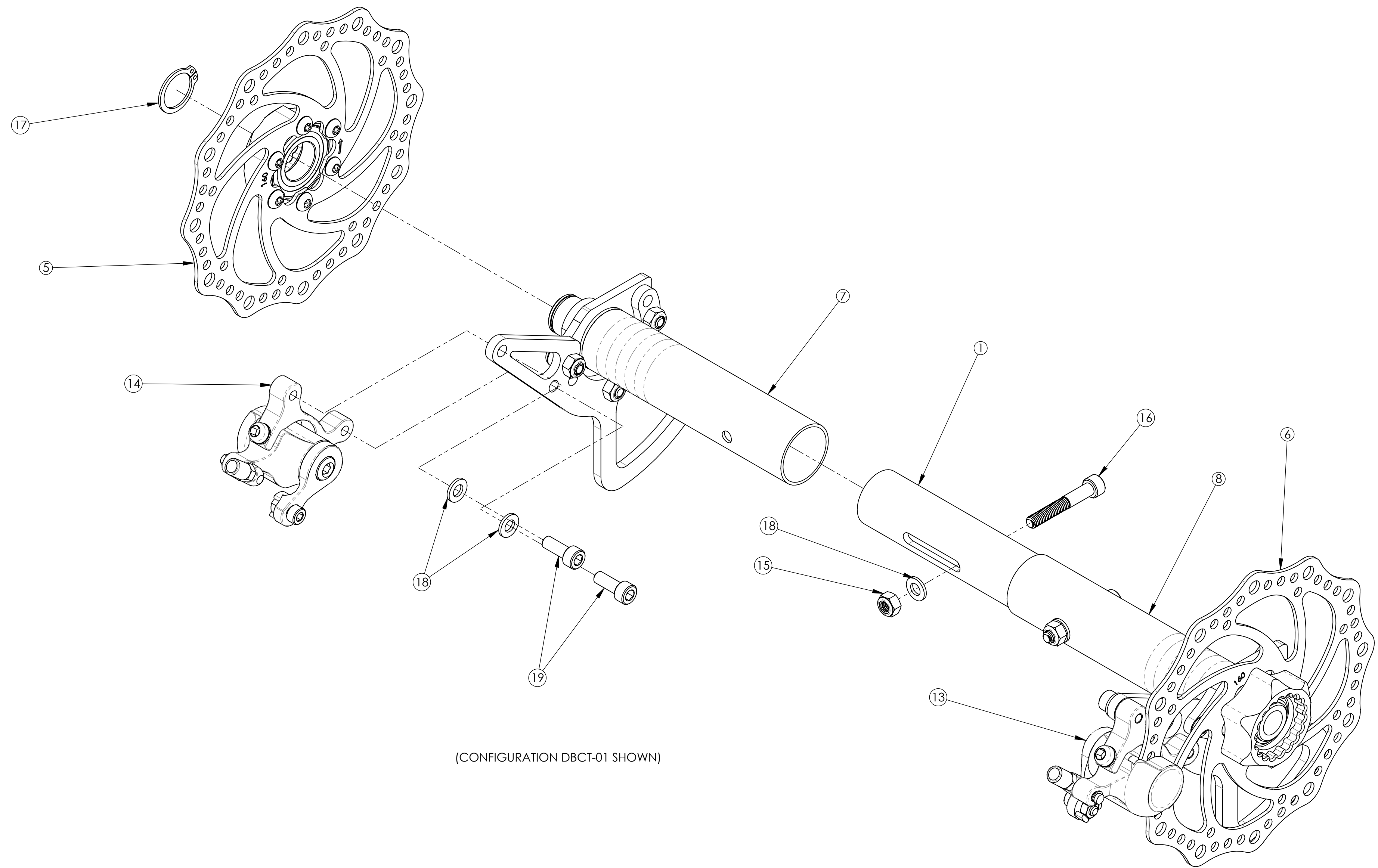


ITEM NO.	PART NUMBER	DESCRIPTION	DBCT-01/QTY.	DBCT-02/QTY.	DBCT-03/QTY.	DBCT-04/QTY.	DBCT-21/QTY.	DBCT-22/QTY.	DBCT-23/QTY.	DBCT-24/QTY.	DBCT-41/QTY.	DBCT-42/QTY.	DBCT-43/QTY.	DBCT-44/QTY.
1	DB2003-01	DISC BRAKE CAMBER TELESCOPING CENTER TUBE, 11-12" CHAIR WIDTH	1	-	-	-	1	-	-	-	1	-	-	-
2	DB2003-02	DISC BRAKE CAMBER TELESCOPING CENTER TUBE, 13-14" CHAIR WIDTH	-	1	-	-	-	1	-	-	-	1	-	-
3	DB2003-03	DISC BRAKE CAMBER TELESCOPING CENTER TUBE, 15-16" CHAIR WIDTH	-	-	1	-	-	-	1	-	-	-	1	-
4	DB2003-04	DISC BRAKE CAMBER TELESCOPING CENTER TUBE, 17-18" CHAIR WIDTH	-	-	-	1	-	-	-	1	-	-	-	1
5	DB2007-11	ROTOR ASSEMBLY, BLACK, RIGHT	1	1	1	1	1	1	1	1	1	1	1	1
6	DB2007-12	ROTOR ASSEMBLY, BLACK, LEFT	1	1	1	1	1	1	1	1	1	1	1	1
7	DB2008-01	DISC BRAKE CAMBER END TUBE CALIPER HANGER ASSEMBLY, 0 DEGREE, RIGHT	1	1	1	1	-	-	-	-	-	-	-	-
8	DB2008-02	DISC BRAKE CAMBER END TUBE CALIPER HANGER ASSEMBLY, 0 DEGREE, LEFT	1	1	1	1	-	-	-	-	-	-	-	-
9	DB2008-21	DISC BRAKE CAMBER END TUBE CALIPER HANGER ASSEMBLY, 2 DEGREE, RIGHT	-	-	-	-	1	1	1	1	-	-	-	-
10	DB2008-22	DISC BRAKE CAMBER END TUBE CALIPER HANGER ASSEMBLY, 2 DEGREE, LEFT	-	-	-	-	1	1	1	1	-	-	-	-
11	DB2008-41	DISC BRAKE CAMBER END TUBE CALIPER HANGER ASSEMBLY, 4 DEGREE, RIGHT	-	-	-	-	-	-	-	-	1	1	1	1
12	DB2008-42	DISC BRAKE CAMBER END TUBE CALIPER HANGER ASSEMBLY, 4 DEGREE, LEFT	-	-	-	-	-	-	-	-	1	1	1	1
13	HDB1019-01	ZOOM DB-450 CALIPER (LEFT SIDE), 160mm ROTOR, BLACK ANODIZE WITH A7 BRACKET	1	1	1	1	1	1	1	1	1	1	1	1
14	HDB1020-01	ZOOM DB-450 CALIPER (RIGHT SIDE), 160mm ROTOR, BLACK ANODIZE WITH A7 BRACKET	1	1	1	1	1	1	1	1	1	1	1	1
15	HBR035	M6x1 LOCKNUT	2	2	2	2	2	2	2	2	2	2	2	2
16	HDB1028	18-8 SS M6X1 SHCS 40mm LENGTH	2	2	2	2	2	2	2	2	2	2	2	2
17	98541A123	BLACK-FINISH STEEL EXTERNAL RETAINING RING FOR 20mm SHAFT DIAMETER. McMASTER-CARR #: 98541A123 OR EQUIVALENT	2	2	2	2	2	2	2	2	2	2	2	2
18	HBR006	M6 FLAT WASHER	6	6	6	6	6	6	6	6	6	6	6	6
19	HBR008	ZOOM M6x1 X 16mm SOCKET HEAD CAP SCREW	4	4	4	4	4	4	4	4	4	4	4	4

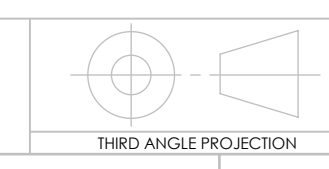


REVISIONS		
REV.	DESCRIPTION	DATE
A	RELEASE	2/4/2013
B	UPDATE HDB1021 DESCRIPTION PART NUMBER HBR035 WAS HDB1022 PART NUMBER HBR036 WAS HDB1027 PART NUMBER HBR038 WAS HDB1029 REPLACE QTY. 4 HDB1030 WITH HBR006	1/5/2014



(CONFIGURATION DBCT-01 SHOWN)

MATERIAL: SEE COMPONENT DRAWINGS
FINISH: SEE COMPONENT DRAWINGS



GENERAL TOLERANCES
(UNLESS OTHERWISE SPECIFIED)
X.X ± X.X X° ± X°
X.XX ± X.XX X.X° ± X.X°
X.XXX ± X.XXX

CAD GENERATED DRAWING
DO NOT MANUALLY UPDATE
OR SCALE DRAWING
3D MODEL AVAILABLE

ADI ACCESSIBLE DESIGNS INC.
401 Isom Rd. Suite 520
San Antonio, TX 78216

THIS DOCUMENT AND THE INFORMATION IT DISCLOSES IS THE EXCLUSIVE PROPERTY OF ADI. ANY REPRODUCTION OR USE OF THIS DOCUMENT, IN PART OR IN WHOLE, WITHOUT THE EXPRESS CONSENT OF ADI IS PROHIBITED.

DISC BRAKE CAMBER TUBE ASSEMBLY CONFIGURATIONS

PART #: DBCT-00