

# Installation & Operations Manual for all Aluminum & Carbon Series Back Supports with E-Clamp Fixed Adjustable Mounting Hardware

401 Isom Road, Suite 520  
San Antonio, TX 78216

cs@adirides.com  
adirides.com

p: 210.341.0008  
t: 888.684.2231





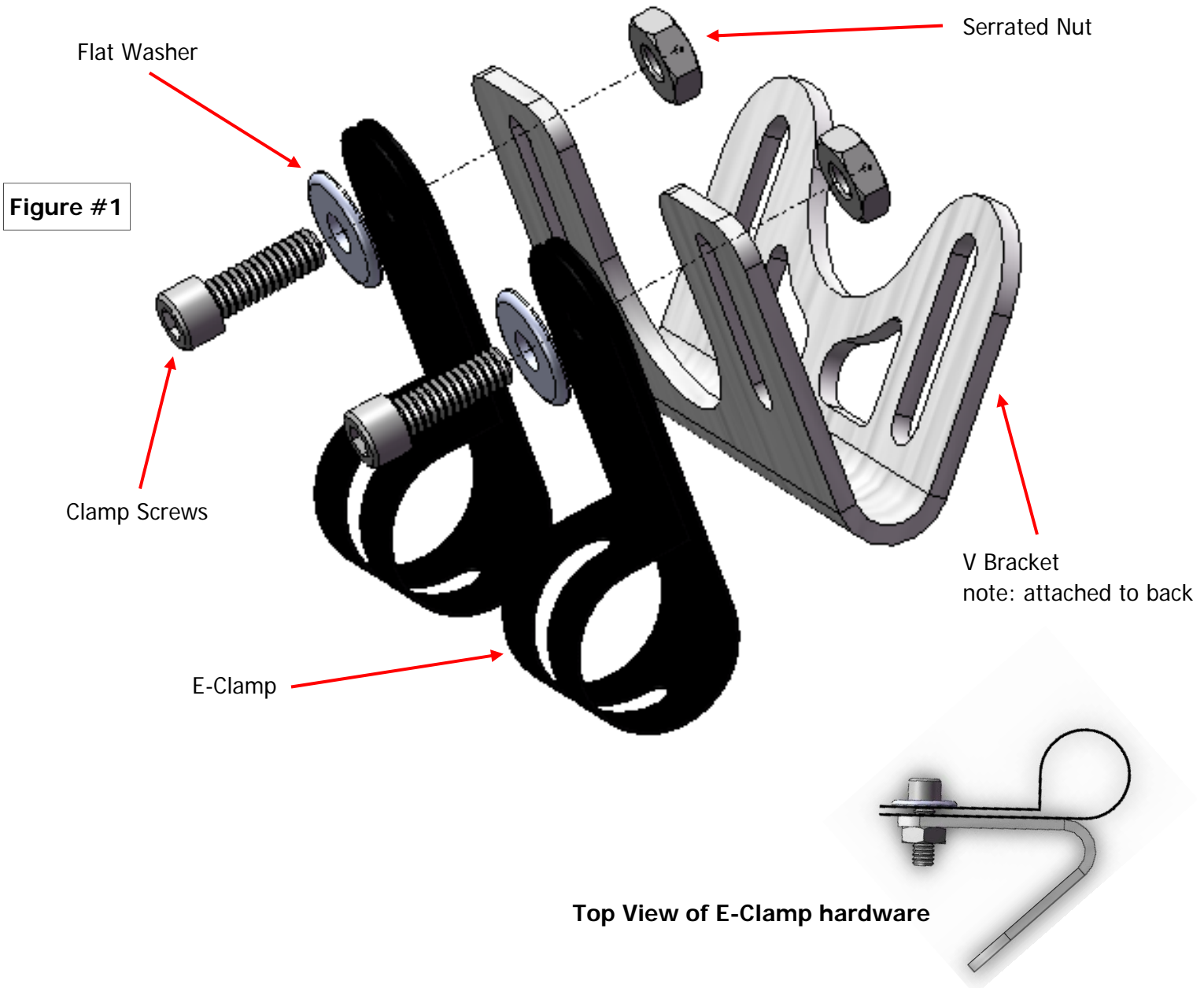
### Tools Required

1. 5mm allen wrench
2. 10mm wrench

### Parts Included in Hardware Pack

1. Clamp Screws (m6 x 16mm) - 4 each
2. Flat Washers - 4 each
3. E-Clamp - 4 each
4. Serrated Nut (m6) - 4 each

### E-Clamp Mounting Hardware Assembly





401 Isom Road, Suite 520  
San Antonio, TX 78232  
p: 210.341.0008 t: 888.684.2231

# Installation & Operations Manual

## E-Clamp Mounting Hardware

July '09 page 3 of 8

### Hardware Installation

**STEP 1:** Remove the existing wheelchair back according to the original manufacturer's instructions.

**STEP 2:** Visually determine the desired height of the back support.



**STEP 3:**  
Mark on the wheelchair back posts the desired location of each top or bottom E-Clamp.



**STEP 4:**  
Slide / wrap all four E-Clamps around wheelchair back post tubing, with the flat edge (as shown) to the inside.

Note: 2 on right, and 2 on left side.





401 Isom Road, Suite 520  
San Antonio, TX 78232  
p: 210.341.0008 t: 888.684.2231

# Installation & Operations Manual

## E-Clamp Mounting Hardware

July '09 page 4 of 8

### Hardware Installation

#### STEP 5:

Attach each E-clamp to the V Bracket with provided screws, washers and serrated nuts, as shown in figure #1., page 2.

Tech Tip: Use channel lock pliers to hold E-Clamp in place while inserting screws & starting serrated nuts



#### STEP 6:

Adjust angle and depth to desired user preferences

#### STEP 7:

After final adjustment is complete, tighten all screws to the proper torque specification. This will ensure secure placement and safe operation.





### Angle, Depth & Width Adjustment

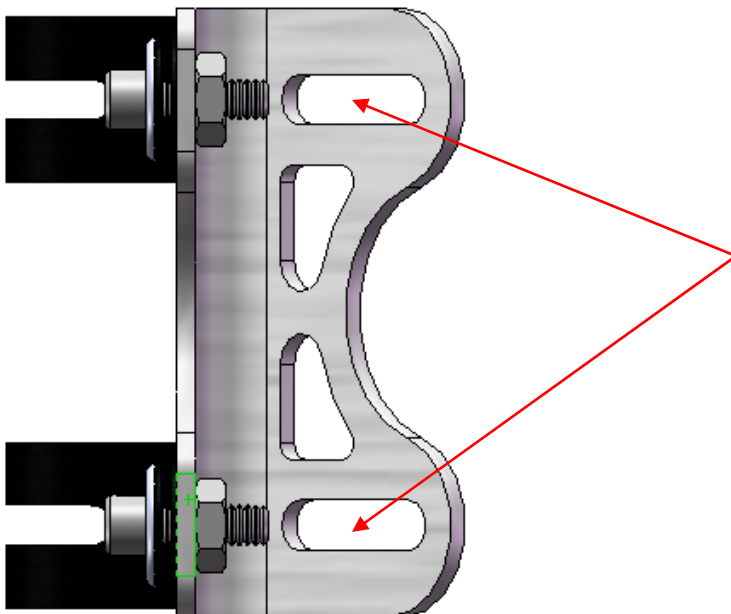
#### Angle Adjustment

- Step 1:  
On each side of the hardware, loosen the top and bottom screws.
- Step 2:  
Adjust back support to achieve desired user angle.
- Step 3:  
After final adjustments are complete, tighten all screws to the proper torque specification.



#### Depth Adjustment

- Step 1:  
On each side of the hardware, loosen the top and bottom screws.
- Step 2:  
Slide back support forward or aft to achieve desired users depth.
- Step 3:  
After final adjustments are complete, tighten all screws to the proper torque specification.



#### Width Adjustment

- Step 1:  
Remove fabric cover from back support.
- Step 2:  
On each side of the hardware, loosen the top and bottom screws, using a 4mm allen wrench and a 10mm wrench.
- Step 3:  
Adjust hardware inward or outward to achieve required mounting hardware width.
- Step 4:  
After final adjustments are complete, tighten all screws to the proper torque specification.



# Installation & Operations Manual

## E-Clamp Mounting Hardware

July '09 page 6 of 8

### **Posterior, Superior, Iliac Spine (PSIS)**

When positioning an ADI back, the interior portion of the back support should be positioned to make contact at the PSIS to provide optimal pelvic support and trunk control.

### **Cleaning of ADI back**

- Use a soft cloth to clean back shell.
- Hand wash foam pad cover with mild soapy water or detergent, and let dry.
- Foam pad should not get wet.

**Note:** Institutions **MUST** clean and disinfect product between multiple patient uses.

**Do NOT** wash or machine dry.

**Do NOT** hand wash in water temperatures above 160 F (70 C).

**Disinfection-** Wipe gently with a cloth dampened with a household disinfectant. Allow foam to air dry thoroughly. **DO NOT** immerse the foam in water.

### **Return/ Repair Policy**

All returns require prior authorization from ADI and are subject to a restocking charge. Call TOLL-FREE 1-888-684-2234.

After authorization has been given, send your product and authorization number to:  
ADI, 401 Isom Road, Suite 520, San Antonio, Texas 78216

### **For UK warranty claims contact:**

Boavista Solutions, Lda  
Rua Eng. Ezequiel de Campos, 541 2  
Zona Industrial do Porto  
4100-233 Porto  
Portugal  
LDA: #011 22 615 11 50

### **Contact Information**

If you have any questions concerning repairs or the proper care and use of your ADI product, call TOLL-FREE 1-888-684-2234 or visit our website at [www.adirides.com](http://www.adirides.com)

**Accessible Designs Inc., 401 Isom Road, Suite 520, San Antonio, Texas 78216**

## Back Supports by ADI

### About ADI Backs:

Ergonomically designed, ADI Backs promote an upright posture, easing the strain on the lower back, by providing support at the posterior pelvis and trunk.



### CAUTION

- If you are able to fold the back canes, the back should be in the folded position when transporting the wheelchair, especially before loading for air travel.
- Protect all backs from blunt forces that may cause damage and/or breakage.
- **Always** check all mounting hardware, making sure each fastener is properly tighten before using the back support.
- Do not attach the ADI backs with the user in the chair.
- Do not use ADI backs during vehicle transportation.
- ADI backs may not fit every chair; please consult your clinician or supplier providing your equipment.
- Only use the hardware supplied with the ADI back on the ADI back; do not substitute any other screws, brackets, or clamps. Use of alternative hardware or mounting brackets voids all warranty.
- Do not wash in water temperatures above 160F (60C).
- 250 lbs. (113.40 kg) user weight limit.
- Altering an ADI back in any way and / or improper installation will void warranty.



### Limited 12 - Month Warranty

#### **What is covered?**

Accessible Designs, Inc. covers any defects in materials or workmanship of the product. Any substitutions of supplied hardware will void the warranty.

#### **For how long?**

12 months from the date the product was originally purchased as a new back support.

#### **What we will do.**

Within a reasonable amount of time after you return the product to ADI, we will repair any defect in material and workmanship and ship it back to you, all free of charge.

#### **What we will not do.**

We will not repair free of charge a product if it has been misused, damaged by an accident, or damaged from " an act of Nature", e.g., flood, tornado, earthquake, fire.

#### **What the customer must do.**

The customer must send the product to ADI with the original sales ticket or other evidence of date of purchase, and pay all delivery costs. It must be sent to ADI, 401 Isom Road, Suite 520, San Antonio, TX 78216. An original sales ticket is not required if the warranty registration card attached to this manual is completed, returned and is on file at ADI. Failure to submit the original sales ticket or failure to have the warranty registration in our files voids this warranty.

#### **For UK warranty claims contact:**

Boavista Solutions, Lda  
Rua Eng. Ezequiel de Campos, 541 2  
Zona Industrial do Porto  
4100-233 Porto  
Portugal

#### **Questions:**

Call our Customer Support Department toll free 888-684-2234.

For UK warranty claims contact Boavista Solutions Lda: 011 22 615 11 50

#### **Disclaimer**

Any implied warranties, including the MERCHANTABILITY and FITNESS FOR A PARTICULAR PURCHASE are also limited to twelve (12) months from the date of original purchase and any action for a breach of such warranties or any express warranties herein must be commenced within this time. Accessible Designs, Inc. shall not be responsible for any injuries to property, whether as a result of a breach of express or implied warranties, or otherwise. Accessible Designs, Inc. will not be responsible for the results of careless handling, unreasonable or improper use of this product.